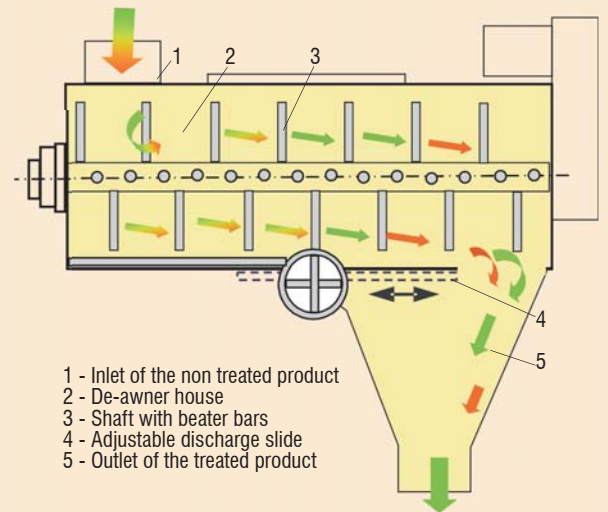


## Flow diagram



**PETKUS De-awner K 320** are necessary for the preparation of the raw grain direct after the harvest to improve the flow and the separation effect of the following processes.

### Application:

- De-awning of barley
- Removing of glumes from wheat
- Clipping of oats
- Defringing of seed cluster

### Construction:

The PETKUS-De-awner consisting of a stable steel housing and a rotating mixing shaft fitted with beater bars made of wear-resistant material. The processing result depends on the type and characteristics of the seed species and can be regulated by 2 rotational speeds and the degree of opening or closing the slide fitted at the discharge opening. The mixing shaft is driven by an electric motor. All maintenance holes are equipped with limit switches, which switch-off the de-awner automatically when opening the holes.

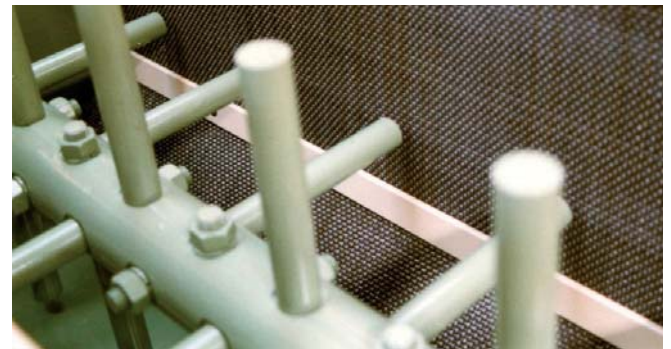
### Optional Equipment:

- Covering the inner De-awner house with steel mesh.

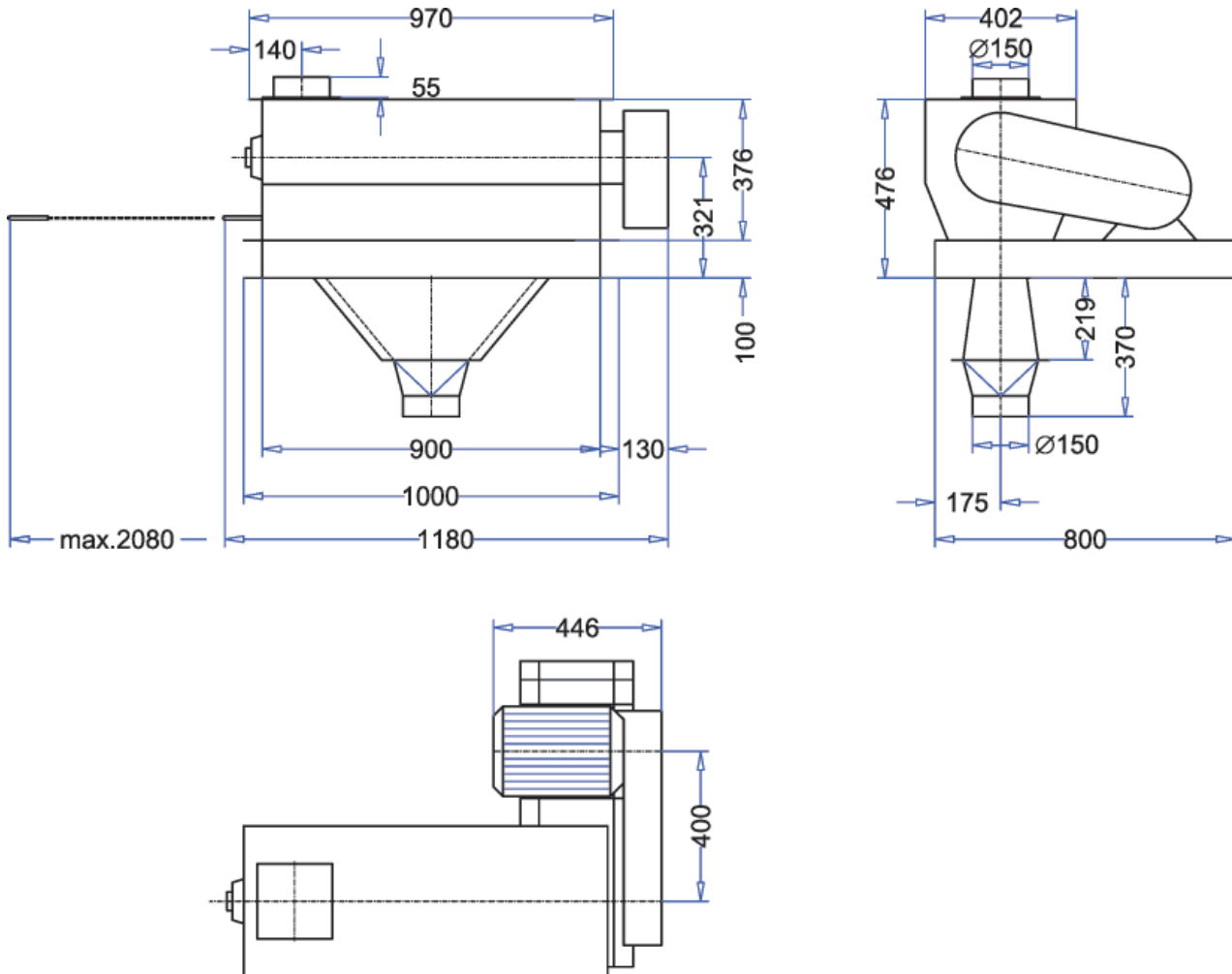
### Description of the process:

The product to be processed enters the De-awner through the inlet pipe. The mixing shaft with beater bars being driven by the motor through V-belts removes awns, glumes and husks from the product. The processed product leaves the De-awner through the adjustable regulating slide. The De-awner can be checked and cleaned through the maintenance hole.

In case if the de-awner process will be not required the product can directly be led into the discharge by stop of the shaft.



De-awner with mesh inside.



Technical Data		K 320
Seed grain	t/h	5
Barley for breweries	t/h	5 - 10
Electrical power, standard	kW	5,5
Revolution of the shaft	U/min	750/1000
Weight	kg	220
Dimension		
Length	mm	1180
Width with motor	mm	310
Width	mm	850
Height	mm	400

Technical Alteration reserved.