



Upper screen overflow



Lower screen through flow



Waste from aspiration system

**PETKUS Screen machines SM** are simply and robust cleaning machines for grain. The complete galvanised construction is based on a screen compartment with various screen layers a dust extraction nozzle and an additional aspiration channel for the cleaned product.

#### Applications:

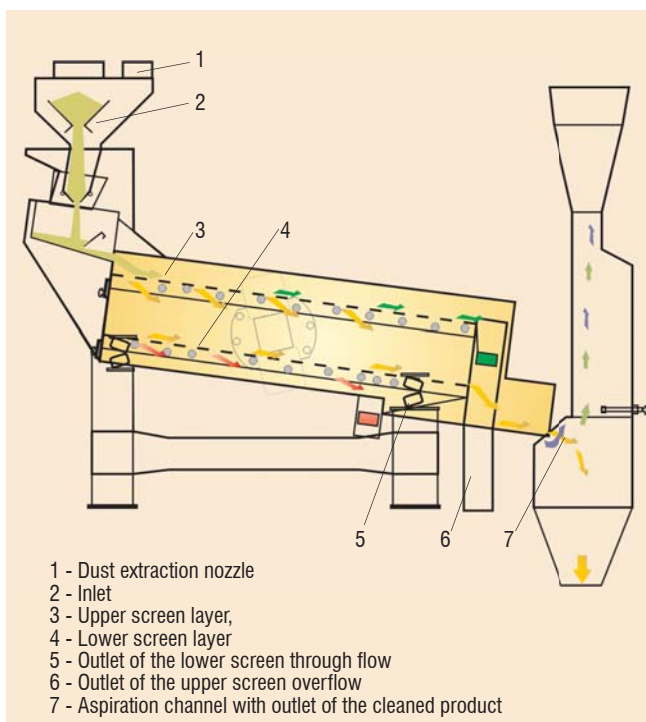
- Precleaner for storage plants, flour mills, feed mills and cereal processing plants,
- Calibration of pelletized feed,
- Sorting and selecting of any kind of grains and herbs.

PETKUS Screen machines are available in 2 different design, Type 2 with 2 screen layers and Type 4 with 4 screen layers.

- Screen machine SM 900-2, SM 1200-2, SM1500-2 with 2 screen layers,
- Screen machine SM 1200-4, SM 1500-4 with 4 screen layers.

#### Advantage:

- Complete machine construction from galvanised steel sheet,
- Simply and easy handling and adjustment of the machine,
- Reliable and low-maintenance construction.



- 1 - Dust extraction nozzle
- 2 - Inlet
- 3 - Upper screen layer,
- 4 - Lower screen layer
- 5 - Outlet of the lower screen through flow
- 6 - Outlet of the upper screen overflow
- 7 - Aspiration channel with outlet of the cleaned product

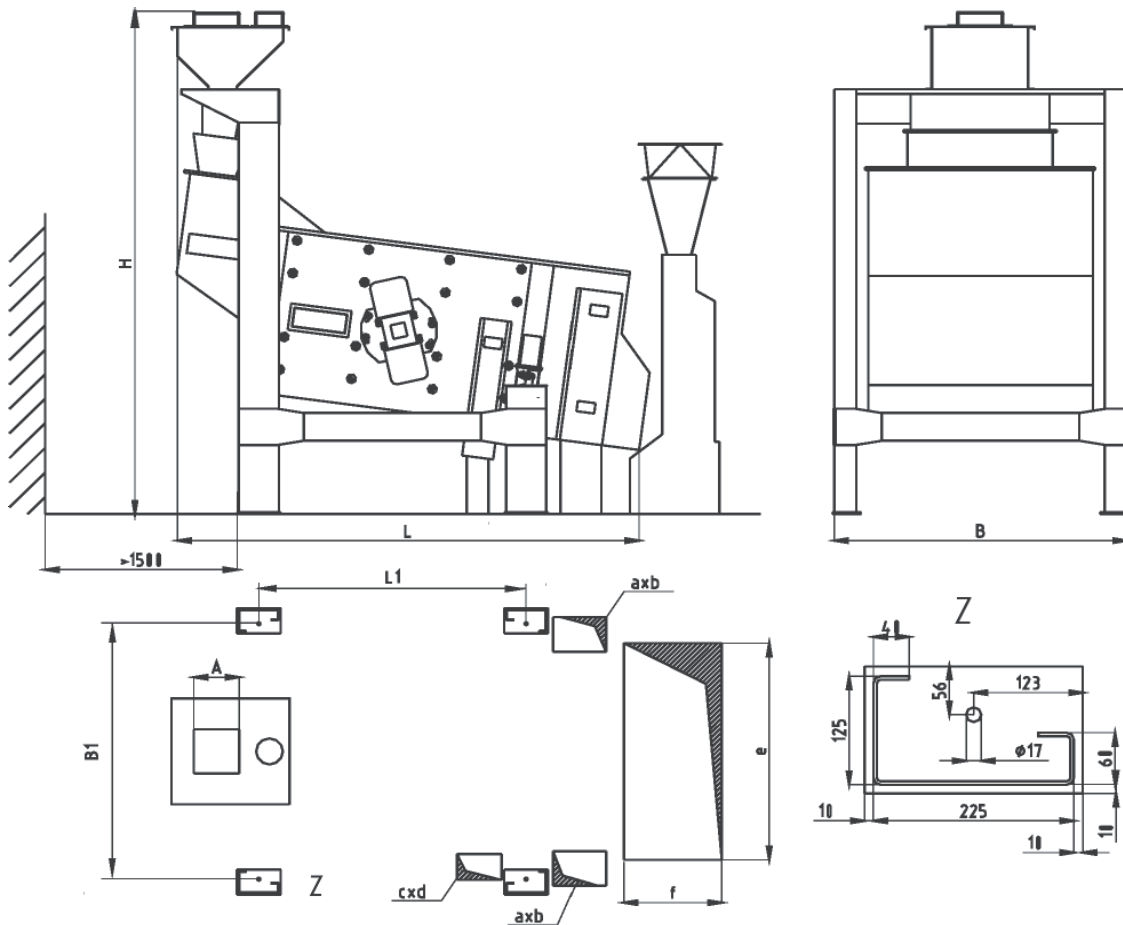
#### Construction:

- Free-running screen shoe being stored on a robust steel support,
- Screen shoe driven by two electro vibrators,
- Modular construction of machine,
- Mesh screens with wood frame,
- Cleaning of the screens by rubber balls,
- Vibration of the screen shoe adjustable,
- Screen inclination adjustable from 5 to 10°,
- Feeding chute with distributing box for even product flow,
- Inlet hopper with dust extraction nozzle,

#### Optional equipment:

- Aspiration channel for the cleaned product,
- Fan for the aspiration system,
- Painted in colour.

# Screen Machine Type SM



Type		SM 1200-2	SM 1500-2	SM 1200-4	SM 1500-4
Capacity (based on wheat 3% waste)	t/h	50	60	100	120
Upper screen	mmxmm	1200x1740	1500x1740	1200x1740	1500x1740
Total no. of upper screens	Stck.	1	2	2	2
Lower screen	mmxmm	1200x1740	1500x1740	1200x1740	1500x1740
Total no. of lower screens	Stck.	1	2	2	2
Screen area	m <sup>2</sup>	4,2	5,2	8,4	10,45
Screen width	mm	1200	1500	1200	1500
Screen inclination up to	°	10	10	10	10
Motor	kW	2 x 0,64	2 x 0,71	2 x 0,71	2 x 1,0
Aspiration	m <sup>3</sup> /h	6000	7200	6000	7200
Dimension					
Length, L	mm	2650	2650	2650	2650
Width, B	mm	1710	2010	1710	2010
Height, H	mm	2260	2260	2660	2660
Length, L <sub>1</sub>	mm	1535	1535	1535	1535
Width, B <sub>1</sub>	mm	1543	1843	1543	1843
Inlet, A	mm	255 x 255	255 x 255	255 x 255	255 x 255
Outlet clean product e x f	mmxmm	1250x550	1550x550	1250x550	1550x550
Outlet upper screen a x b	mmxmm	295 x 200			
Outlet lower screen c x d	mmxmm	250 x 150			

Technische Änderungen vorbehalten.